

# ARE YOU READY FOR UNIVERSAL PAYMENT CONFIRMATIONS TO SWIFT?

## **NOV. 2020 DEADLINE**

### **COMPLIANCE, SIMPLIFIED.**

Part of SR 2020, by November this year, every single MT103 on FIN payment will need to be confirmed to SWIFT within two business days.

Applies to all FIN users receiving MT103 messages.

Financial Institutions have the option of confirming to SWIFT manually or via one of the automated methods approved by SWIFT.

Fiorano provides a simplified route to compliance with an easy upgrade path to SWIFT gpi and SWIFT CBPR+ / ISO 2022 readiness.

**SWIFT-Confirm pack  
for simplified and fast compliance,  
in-line with the SWIFT Universal  
Confirmations rulebook**

**Pre-configured flows for all SWIFT  
approved confirmation methods:  
MT 199 / API / Batch confirmations  
and ISO 2022**

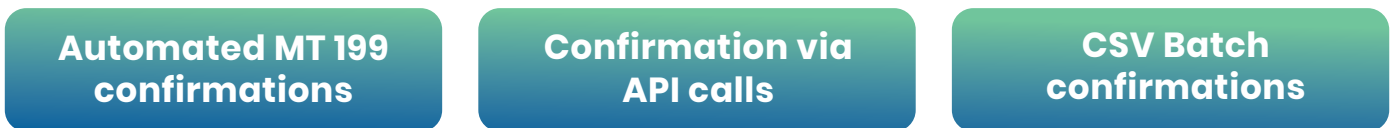
**Bundled testing and validation for  
Business Acceptance, Audits,  
Process improvement and  
Exception Handling**

**Smooth upgrade path to  
SWIFT gpi, SWIFT CBPR+  
and ISO 2022**

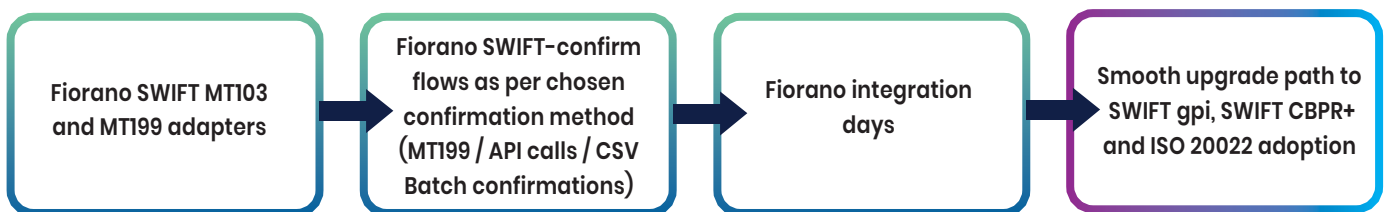
## Are you ready for SWIFT Universal Confirmations?

Part of SWIFT gpi, Universal Confirmations are an immediate requirement that needs to be complied with, as per SWIFT published deadlines, and in-line with the SWIFT Basic Tracker.

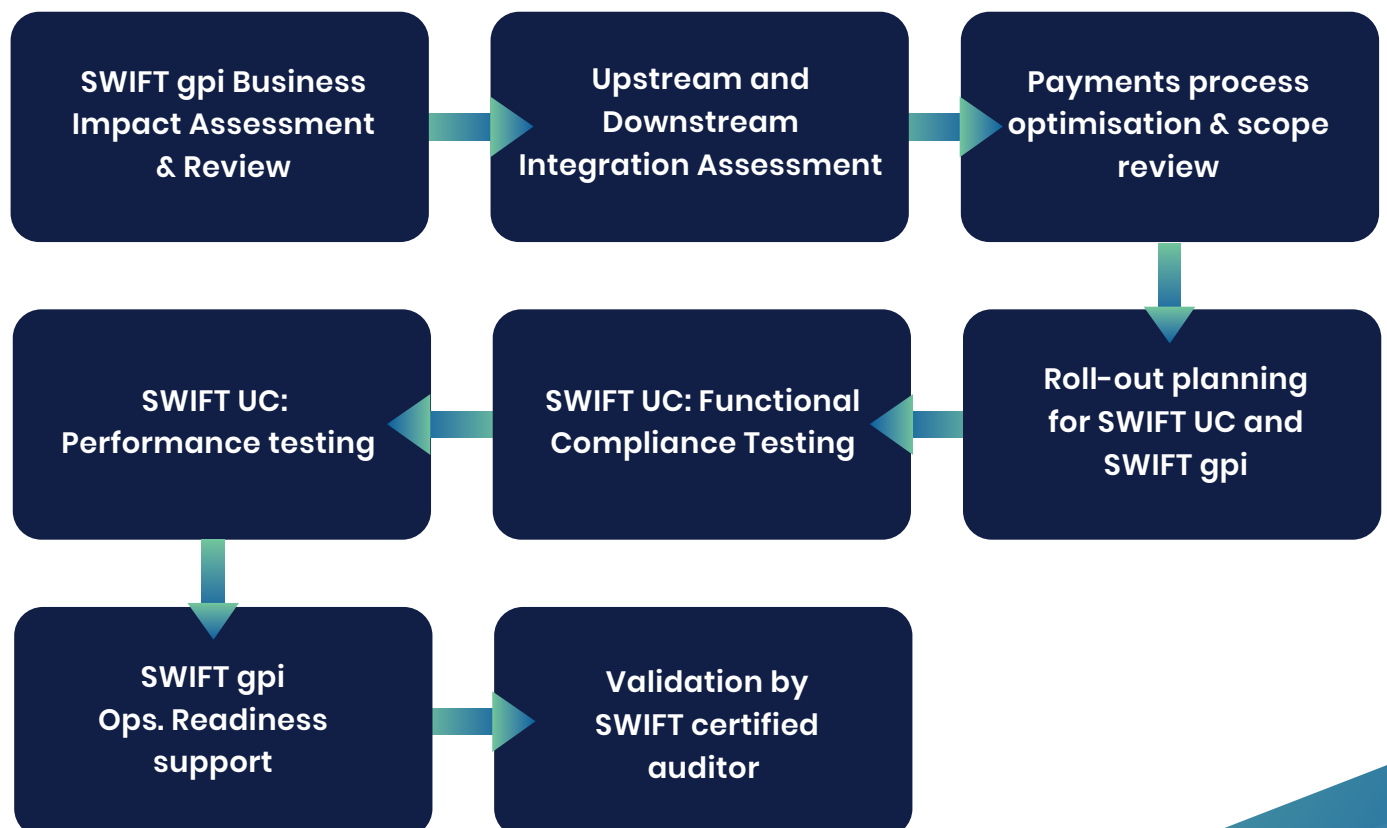
Fiorano offers an easy and accelerated path to confirm payments to SWIFT with its SWIFT-Confirm pack (part of Fiorano ISO 2022 Accelerator) through the following automated routes:



Support for an ISO 2022 native format via SWIFT's XML ISO channel for Universal Confirmations will be available to customers of Fiorano's ISO 2022 Accelerator once SWIFT enables ISO 2022 messages for cross-border payments and cash reporting businesses.



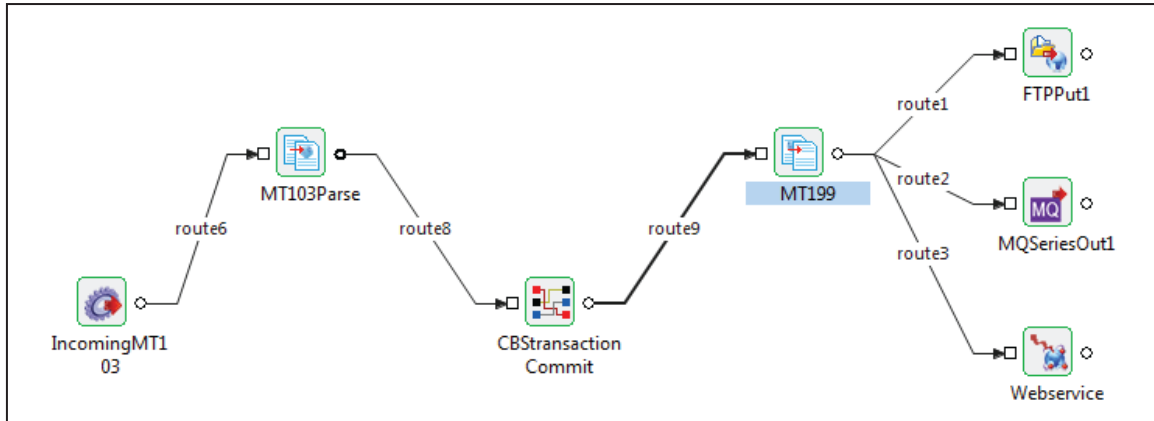
Fiorano Professional Services can also provide on-demand wrap-around services through expert SWIFT and ISO 2022 specialists. These services are designed to reduce SWIFT / process related operational costs and improve control of financial flows. They include:



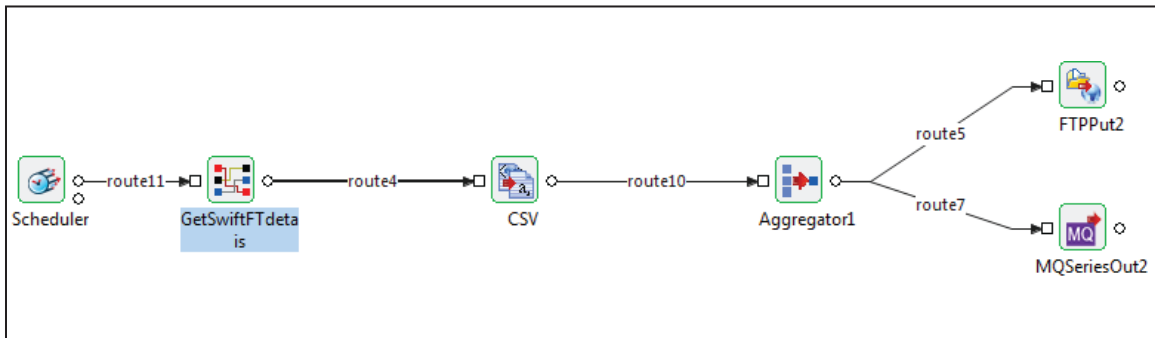
## Simplify with Fiorano pre-built flows

Fiorano SWIFT-confirm ships with pre-built flows to enable fast compliance with multiple SWIFT approved options for Confirmations, as outlined below:

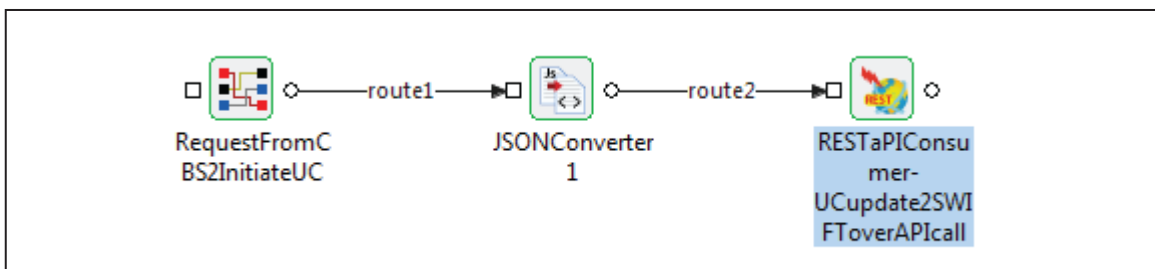
### MT199



### Batch confirmations via. CSV



### Confirm via. API



For more details, contact [sales@fiorano.com](mailto:sales@fiorano.com) with SWIFT-confirm in the subject line, or contact your local Fiorano representative or partner.

Explore more at: [www.fiorano.com/banking](http://www.fiorano.com/banking)

#### United Kingdom

Fiorano Software Ltd.  
Level 30, The Leadenhall Building,  
122 Leadenhall Street,  
London EC3V 4AB,  
United Kingdom  
Tel: +44 20 70787422  
Fax: +44 1932 325413

#### AMERICAS

Fiorano Software Inc.  
230 California Avenue,  
Suite 103, Palo Alto,  
CA 94306,  
USA  
Tel: +1 650 326 1136

#### APAC

Fiorano Software Pte. Ltd.  
Level 42,  
Suntec Tower Three,  
8 Temasek Boulevard  
038988 Singapore  
Tel: +65 6829 2234

#### UAE

Fiorano Software Ltd.  
Dubai Internet City, Building 16,  
Ground Floor, EX-22,  
PO Box 73030,  
United Arab Emirates (UAE)  
Tel: +971 4 319 7349

